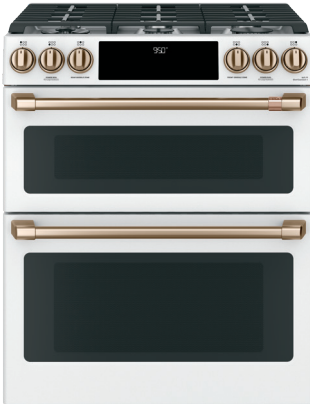


# Café™ 30" Slide-In Front Control Dual-Fuel Double Oven with Convection Range

C2S950P4MW2 / C2S950P3MD1 / C2S950P2MS1

# CAFÉ

DISTINCT BY DESIGN™



ALSO AVAILABLE IN



C2S950P2MS1  
Stainless Steel with Brushed Stainless handles and knobs



C2S950P3MD1  
Matte Black with Brushed Stainless handles and knobs



## FEATURES & BENEFITS

Expansive six-burner cooktop helps you entertain with ease - Entertaining for large groups is easy with the industry's first six burner, edge-to-edge cooktop that can accommodate cookware of all sizes and a cast-iron integrated griddle that provides enough room to perfectly flip crab cakes, arepas and other crowd favorites

Enjoy total control in the kitchen and beyond - Control your oven with your smart device or simply your voice using WiFi Connect

An attractive appearance at all times - Every detail of your kitchen is designed to delight, thanks to a sleek backlit glass touch control panel that visually disappears when not in use and wakes up when prompted

Share favorite creations with your favorite people - Create an unforgettable dinner, using a 21K tri-ring burner to do everything from searing scallops to simmering a lemon caper white wine sauce and a 15K power boil burner to boil water quickly for al dente angel hair pasta

Everything you need for unforgettable results - Get the precision you need to pull off a multi-course dinner party with this 7.0 cu. ft. double oven dual fuel range, which boasts a gas-powered cooktop for precise heat control and electric True European Convection with Precise Air in the oven for even baking results.

Never scrub, smooth-glide racks - Easily remove heavy dishes with a roller rack that is specially designed to glide smoothly and stay in the oven during the self-clean cycle, so you never have to handle cumbersome racks again

Create a look that matches your personal style - Select any combination of premium finishes and hardware options to create a stunning look customized to any owner's taste

Allow your appliances to interact with one another - Create a chef-like experience with Chef Connect, which can synchronize your appliance clocks and surface lights and vent when a range burner is in use, and even your microwave and range clocks

Prepare foods to perfect doneness - Get roasts and meats just right with a temperature probe that lets you monitor progress without opening the oven door

## APPEARANCE

Cooktop Burner Grate Color	Matte Black
Installation	Power Cord Not Included
Oven Door Features	Big Clear View Oven Window
Handle	Professional Style; Customizable; Consumer Removable
Handle Design	Café

## FEATURES

Configuration	Double Oven Range
Cooking System	True European Precise Air Reversing
Cooking Technology	Traditional Upper; Convection Lower
Oven Cleaning Type	Self-Clean with Steam Clean Option
Burner - Left Front	21,000 BTU Tri-ring Burner
Burner - Left Rear	5,000 BTU Precise Simmer
Burner - Right Front	15,000 BTU
Burner - Right Rear	12,000 BTU
Burner - Center	9,500 BTU Front / 9,500 BTU Rear
Cooktop Burner Type	Sealed
Cooktop Surface	Deep Recessed; Stainless Steel
Dishwasher Safe Knobs	Yes
Control Location	Front controls
Control Type	Backlit; Glass Touch
Valves (Degree of Turn)	270
Oven Control Features	Audible Preheat Signal; Automatic Oven Timer (Time Bake); Auto Oven Shut-Off; Auto Self Clean; Certified Sabbath Mode; Chef Connect; Control Lock Capability; Delay Bake Option (Time Bake); Delay Clean Option; Digipad Numeric Entry; Electronic Clock and Timer; Front Controls; In-Oven Broiling; Temperature Probe; Self-Clean Cool Down Time Display
Oven Cooking Modes	Baked Goods - Both Ovens (No Preheat); Convection Bake; Convection Roast; Frozen Pizza Multi Rack - Lower Oven (No Preheat); Frozen Pizza Single Rack - Both Ovens (No Preheat); Frozen Snacks Multi Rack - Lower Oven (No Preheat); Frozen Snacks Single Rack - Both Ovens (No Preheat); Proof (Lower Oven); Warming (Both Ovens)
Oven Features	6-Pass Broil Element; 8-Pass Broil Element
Cooktop Burner Grate Features	Heavy-Cast Edge-to-Edge Grates
Cooktop Burner Grate Material	Cast-Iron
Cleaning Time	Variable with Delay Clean Option
Self-Clean Oven Door Lock	Automatic
Oven Rack Features	1 Roller Rack (Upper); 2 Self-Clean Flat Oven Racks (Lower); 6 Rack Positions
Fuel Type	240V Electric and Natural Gas
Ignition System	Electronic w/Auto Reignition
Leveling System	4 Leveling Legs
Style	Commercial
Oven Interior	2 Oven Interior Lights; Hidden Bake; Black
Connected Capabilities	Amazon Alexa; The Google Assistant; IFTTT; Nest; Drop; Innt; DiGiorno
WiFi Connect	Built-In
Lower Oven Features	Dual element bake

## CAPACITY

Total Capacity (cubic feet)	7.0 cu ft
Capacity (Cu. Ft.)	2.7 Upper / 4.3 Lower

## ACCESSORIES

Grates	Included Center Grate
Grill	Optional; Integrated Cast Iron; JXCGRILL1
LP Conversion Kit	Included
Trim Kit	Optional; JXFILLR1SS
Griddle	Included; Integrated Cast Iron

## WEIGHTS & DIMENSIONS

Cabinet Opening	30 in
Depth with Door Open	43-7/8 in
Approximate Shipping Weight	291 lb
Net Weight	271 lb
Height to Top of Rear Vent Trim	37-3/8 in
Overall Height	37-3/8 in
Height to Cooking Surface (in.)	36-1/4 +/- 1/4
Overall Width	29-7/8 in
Cabinet Width	30 in
Overall Depth	29-1/2 in
Depth Without Handle	26-7/8 in
Oven Interior Dimensions (W x H x D) (in.)	24 x 10-1/8 x 19-1/8 - Upper 24 x 15 x 20-5/8 - Lower

# Café™ 30" Slide-In Front Control Dual-Fuel Double Oven with Convection Range

C2S950P4MW2 / C2S950P3MD1 / C2S950P2MS1

# CAFÉ

DISTINCT BY DESIGN™

## POWER / RATINGS

Amp Rating at 208V	30
Amp Rating at 240V	30
Convection Wattage	2500W
Top Burner BTU Rating - LP (000's BTU's)	(1) 18.0 Tri-Ring; (1) 15.0; (1) 12.0; (2) 9.5; (1) 5.0
Top Burner BTU Rating - Nat. Gas (000's BTU's)	(1) 21.0 Tri-Ring; (1) 15.0; (1) 12.0; (2) 9.5; (1) 5.0
Volts/Hertz/Amps	208/240V; 60Hz; 30A
Power Connection	Power Cord - Not Included
Bake Wattage	2650W Upper / 2650W Lower
Broiler Wattage	3000W Upper / 3600W Lower

## WARRANTY

Parts warranty	Limited 1-year entire appliance
Labor warranty	Limited 1-year entire appliance

## DIMENSIONS

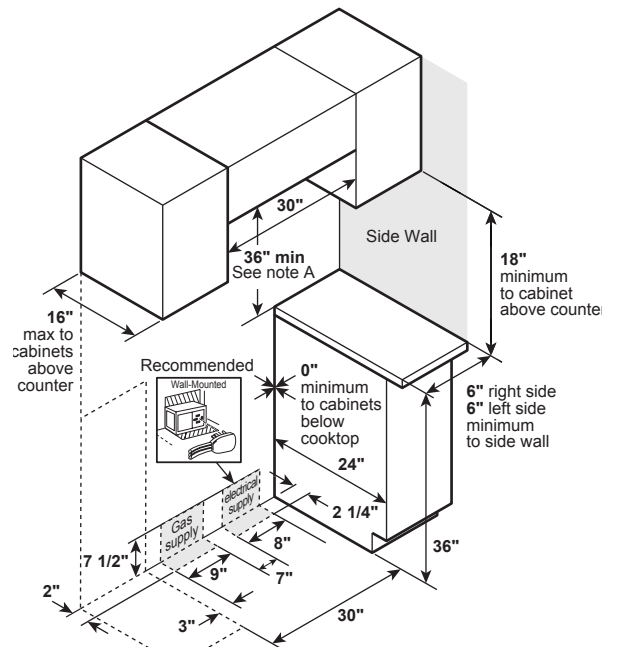
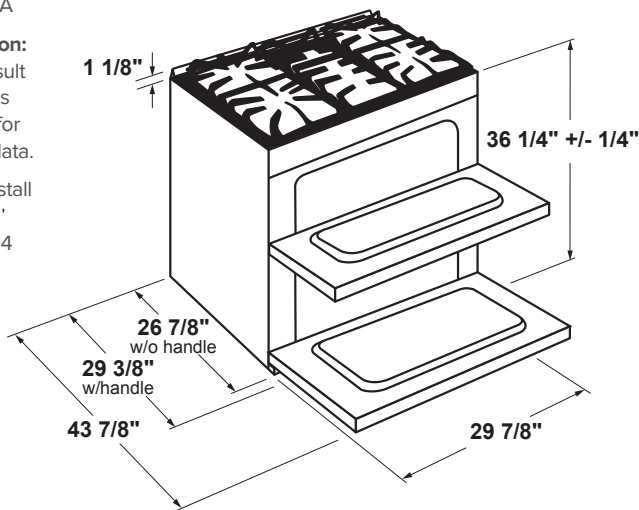
### Electrical Requirements:

240v/208v; 60Hz, 30A

### Installation information:

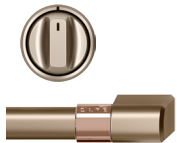
Before installing, consult installation instructions packed with product for current dimensional data.

For all installations, install the required rear trim to back of range with 4 screws provided.

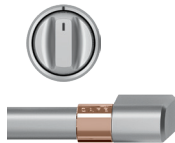


Note A: 36" Minimum to bare cabinet, see installation instructions for heights less than 36"

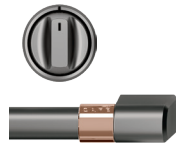
## ADDITIONAL ACCESSORIES



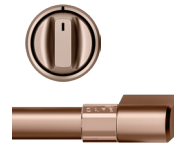
CXFCGHKPMBZ  
Brushed Bronze  
2 handles; 6 knobs  
(Standard on Matte White)



CXFCGHKPMSS  
Brushed Stainless  
2 handles; 6 knobs  
(Standard on Matte Black)



CXFCGHKPMBT  
Brushed Black  
2 handles; 6 knobs



CXFCGHKPMCU  
Brushed Copper  
2 handles; 6 knobs