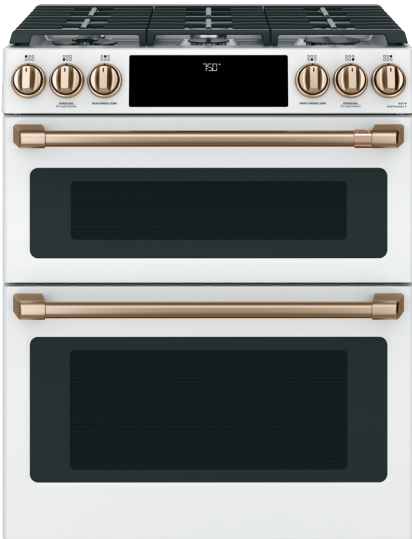


Café™ 30" Slide-In Front Control Gas Double Oven with Convection Range

CGS750P4MW2 / CGS750P3MD1 / CGS750P2MS1

CAFÉ

DISTINCT BY DESIGN™



ALSO AVAILABLE IN



CGS750P2MS1
Stainless Steel with Brushed Stainless handles and knobs



CGS750P3MD1
Matte Black with Brushed Stainless handles and knobs



FEATURES & BENEFITS

Create dinners and desserts at the exact same time - From everyday gourmet meals to large dinner parties, achieve impressive results with two independent ovens with a total capacity of 6.7 cu. ft. for true cooking flexibility, along with the accurate heat circulation of True European Convection with Precise Air in the lower oven

An attractive appearance at all times - Every detail of your kitchen is designed to delight, thanks to a sleek backlit glass touch control panel that visually disappears when not in use and wakes up when prompted

Enjoy total control in the kitchen and beyond - Control your oven with your smart device or simply your voice using WiFi Connect

Expansive six-burner cooktop helps you entertain with ease - Entertaining for large groups is easy with the industry's first six burner, edge-to-edge cooktop that can accommodate cookware of all sizes and a cast-iron integrated griddle that provides enough room to perfectly flip crab cakes, arepas and other crowd favorites

Share favorite creations with your favorite people - Create an unforgettable dinner, using a 21K tri-ring burner to do everything from searing scallops to simmering a lemon caper white wine sauce and a 15K power boil burner to boil water quickly for al dente angel hair pasta

Prepare foods to perfect doneness - Get roasts and meats just right with a temperature probe that lets you monitor progress without opening the oven door

Create a look that matches your personal style - Select any combination of premium finishes and hardware options to create a stunning look customized to any owner's taste

Never scrub racks - Easily remove everything from heavy roasts to delicate desserts with never scrub racks that stay in the oven during the self-clean cycle

APPEARANCE

Cooktop Burner Grate Color	Matte Black
Oven Door Features	Big Clear View Oven Window
Handle	Professional Style; Customizable; Consumer Removable
Handle Design	Café

FEATURES

Configuration	Double Oven Range
Cooking System	True Convection
Cooking Technology	Traditional Upper; Convection Lower
Oven Cleaning Type	Self-Clean with Steam Clean Option
Burner - Left Front	21,000 BTU Tri-ring Burner
Burner - Left Rear	5,000 BTU Precise Simmer
Burner - Right Front	15,000 BTU
Burner - Right Rear	12,000 BTU
Burner - Center	9,500 BTU Front / 9,500 BTU Rear
Cooktop Burner Type	Sealed
Cooktop Surface	Deep Recessed; Stainless Steel
Dishwasher Safe Knobs	Yes
Control Location	Front controls
Control Type	Backlit; Glass Touch
Valves (Degree of Turn)	270

Oven Control Features	Audible Preheat Signal; Automatic Oven Timer (Time Bake); Auto Oven Shut-Off with Override; Auto Self Clean; Certified Sabbath Mode; Chef Connect; Control Lock Capability; Delay Bake Option (Time Bake); Delay Clean Option; DigiPad Numeric Entry; Electronic Clock and Timer; Front Controls; In-Oven Broiling; Temperature Probe; Self-Clean Cool Down Time Display
-----------------------	--

Oven Rack Features	Baked Goods - Both Ovens (No Preheat); Convection Bake; Convection Roast; Frozen Pizza Multi Rack - Lower Oven (No Preheat); Frozen Pizza Single Rack - Both Ovens (No Preheat); Frozen Snacks Multi Rack - Lower Oven (No Preheat); Frozen Snacks Single Rack - Both Ovens (No Preheat); Proof (Lower Oven); Warming (Both Ovens)
--------------------	--

Oven Cooking Modes	Heavy-Cast Edge-to-Edge Grates
Cooktop Burner Grate Features	Cast-Iron
Cooktop Burner Grate Material	Variable with Delay Clean Option
Cleaning Time	Automatic
Self-Clean Oven Door Lock	1 Self-Clean Flat Oven Rack (Upper); 2 Self-Clean Flat Oven Racks (Lower); 6 Rack Positions

Oven Rack Features	Natural Gas (factory set)
Fuel Type	Electronic
Ignition System	4 Leveling Legs
Leveling System	Commercial
Style	2 Oven Interior Lights; Black

Oven Interior	Amazon Alexa; The Google Assistant; IFTTT; Nest; Drop; Innit; DiGiorno
Connected Capabilities	Built-In
WiFi Connect	

CAPACITY

Total Capacity (cubic feet)	7.0 cu ft
Capacity (Cu. Ft.)	2.7 Upper / 4.3 Lower

ACCESSORIES

Grates	Included Center Grate
Grill	Optional; Integrated Cast Iron; JXCGRILL1
LP Conversion Kit	Included
Trim Kit	Optional; JXFILLR1SS
Griddle	Included; Integrated Cast Iron

WEIGHTS & DIMENSIONS

Depth with Door Open	43-7/8 in
Approximate Shipping Weight	291 lb
Net Weight	271 lb
Height to Top of Rear Vent Trim	37-3/8 in
Overall Height	37-3/8 in
Height to Cooking Surface (in.)	36-1/4 +/- 1/4
Overall Width	29-7/8 in
Cabinet Width	30 in
Overall Depth	29-1/2 in
Depth Without Handle	26-7/8 in
Oven Interior Dimensions (W x H x D) (in.)	24 x 9-1/8 x 19-1/8 - Upper 24 x 15 x 20-5/8 - Lower

Café™ 30" Slide-In Front Control Gas Double Oven with Convection Range

CGS750P4MW2 / CGS750P3MD1 / CGS750P2MS1

CAFÉ

DISTINCT BY DESIGN™

POWER / RATINGS

Convection Wattage	1200W
Top Burner BTU Rating - LP (000's BTU's)	(1) 18.0 Tri-Ring; (1) 15.0(1) 12.0; (2) 9.5; (1) 5.0
Top Burner BTU Rating - Nat. Gas (000's BTU's)	(1) 21.0 Tri-Ring; (1) 15.0; (1) 12.0; (2) 9.5; (1) 5.0
Volts/Hertz/Amps	120v; 60Hz; 15A
Bake/Broiler BTU Rating - LP (000's BTU's)	7.0 / 120V - Upper; 13.5 / 13.5 - Lower
Bake/Broiler BTU Rating - Nat. Gas (000's BTU's)	7.0 / 120V - Upper; 14.0 / 16.5 - Lower

WARRANTY

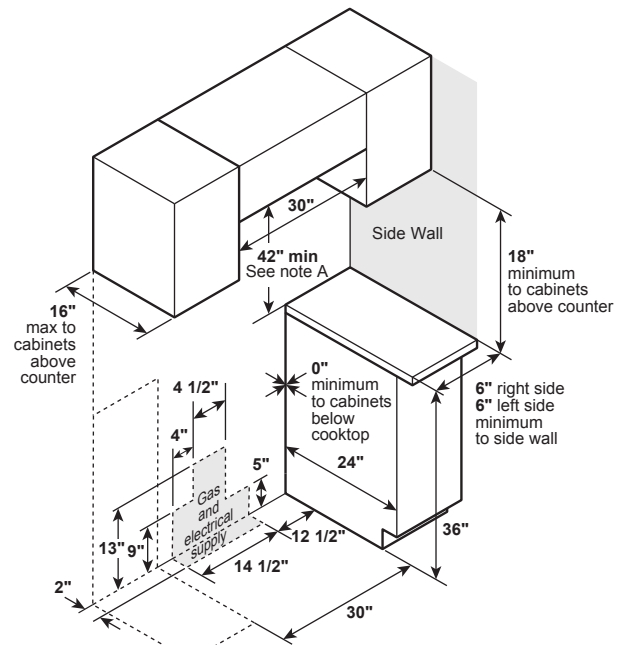
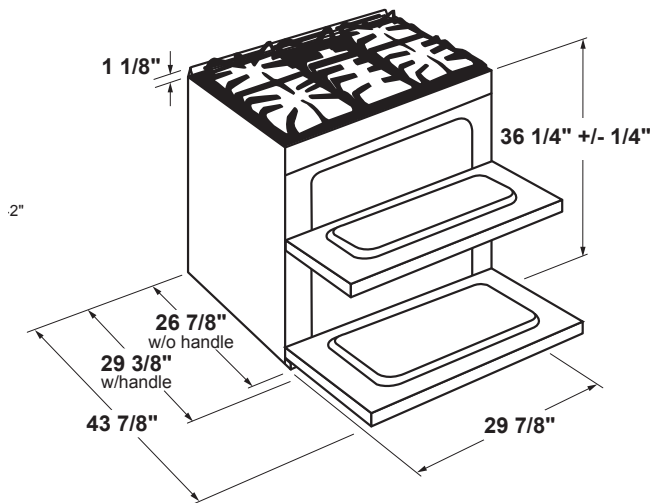
Parts warranty	Limited 1-year entire appliance
Labor warranty	Limited 1-year entire appliance

DIMENSIONS AND INSTALLATION

Electrical Requirements: 120v; 60Hz, 15A

Installation information: Before installing, consult installation instructions packed with product for current dimensional data.

For all installations, install the required rear trim back of range with 4 screws provided.

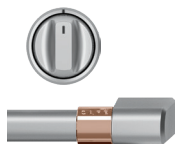


Note A: 42" Minimum to bare cabinet, see installation instructions for heights less than 42"

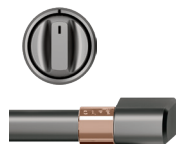
ADDITIONAL ACCESSORIES



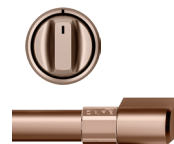
CXFCGHKPMBZ
Brushed Bronze
2 handles; 6 knobs
(Standard on Matte White)



CXFCGHKPMSS
Brushed Stainless
2 handles; 6 knobs
(Standard on Matte Black)



CXFCGHKPMBT
Brushed Black
2 handles; 6 knobs



CXFCGHKPMCU
Brushed Copper
2 handles; 6 knobs