

Café™ 30" Commercial Hood

CVW93012MSS / CVW93013MDS / CVW93014MWM

C A F É

DISTINCT BY DESIGN™



ALSO
AVAILABLE IN



CVW93012MSS
Stainless Steel

ALSO
AVAILABLE IN



CVW93013MDS
Matte Black

FEATURES

Control Location	Hidden
Cooktop Lighting	Halogen
Ducting	Vertical Only
Exhaust Options	7" Round Duct
Fan Speed Control	4-Speed
Filter Cleaning	Dishwasher Safe
Removable Grease Filter(s)	Yes
CFM/ Sones Rating	590/ 7.5 (High Speed) 160/ 0.4 (Working Speed)
Light Controls	Off/High/Night

TECHNICAL DETAILS

Amp Rating at 120V	3.9
--------------------	-----

WEIGHTS & DIMENSIONS

Approximate Shipping Weight	68 lb
Net Weight	54 lb
Cabinet Width	30 in
Overall Depth	21 in
Overall Height	18 in
Overall Width	30 in

FEATURES & BENEFITS

Make sure everyone is focused only on your food with a **590-CFM venting system** that removes smoke, grease, odors and moisture from the air.

Adjust your vents to match your cooking techniques with **four-speed fan control** that removes grease, odors and moisture.

Enjoy a fresh-smelling kitchen all the time with a **vertical exhaust** that takes smoke, grease, odors and moisture away from the cooktop.

Clearly watch the progress of preparing your favorite meals with **dual halogen cooktop lighting** that brightly illuminates the cooking surface.

See your way through midnight snacking with a **night light** that softly illuminates the cooktop and surrounding areas.

Keep your clean-up to a minimum with a **removable grease filter** that helps eliminate hand scrubbing.

APPEARANCE

Blower / Light Switch Color	Stainless
-----------------------------	-----------

Café™ 30" Commercial Hood

CVW93012MSS / CVW93013MDS / CVW93014MWM

CAFÉ

DISTINCT BY DESIGN™

WARRANTY

Parts warranty	Limited 1-year entire appliance
Labor warranty	Limited 1-year entire appliance
Warranty notes	See written warranty for full details

DIMENSIONS AND INSTALLATION INFORMATION

Installation Information:

Before installing, consult Use & Care/installation instructions packed with product for current dimensional data.

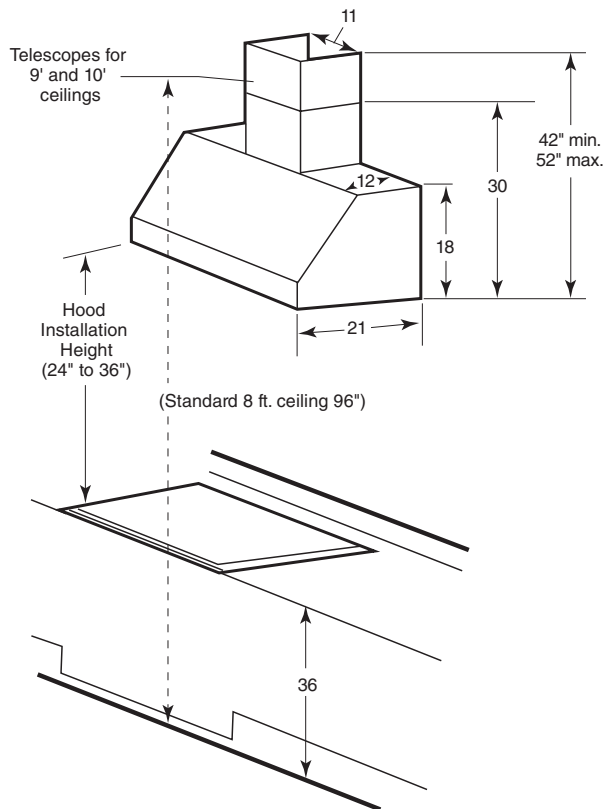
Optional Kits for 30" Commercial hoods

- UXCH2NSS—Stainless chimney kit
- UXCH3NDS—Black Slate chimney kit
- UXCH4NWM—Matte White chimney kit

AMP RATING

120V	3.9
------	-----

Installed above a cooktop
(shown with optional chimney kit)



Installed above a range
(shown with optional chimney kit)

